

PARTS LIST

MCA-HTS(24)

CONTENTS

1. MAIN BODY	1 ~ 4
2. ACCESSORIES	5 ~ 6

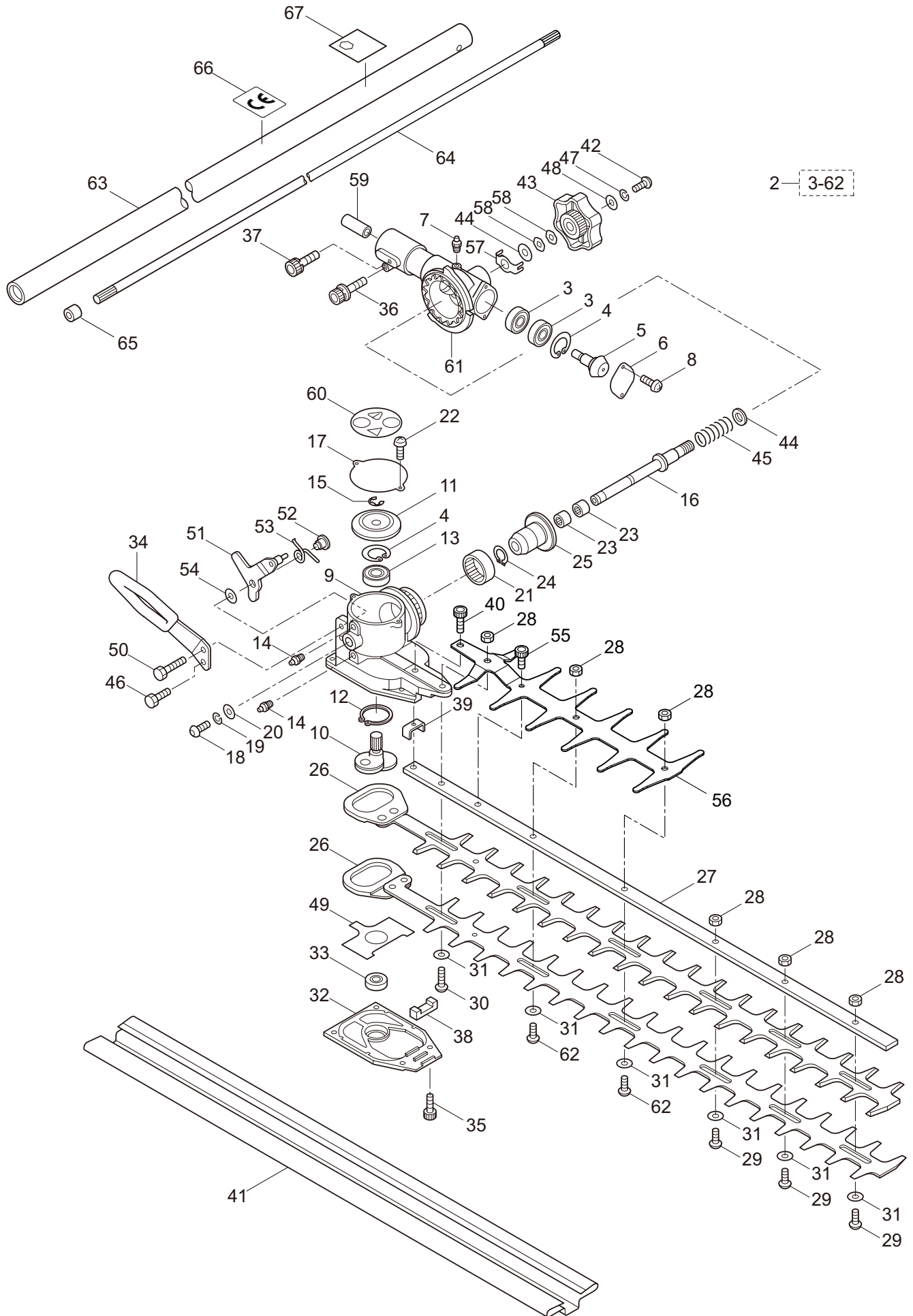
2016. 01.



MARUYAMA

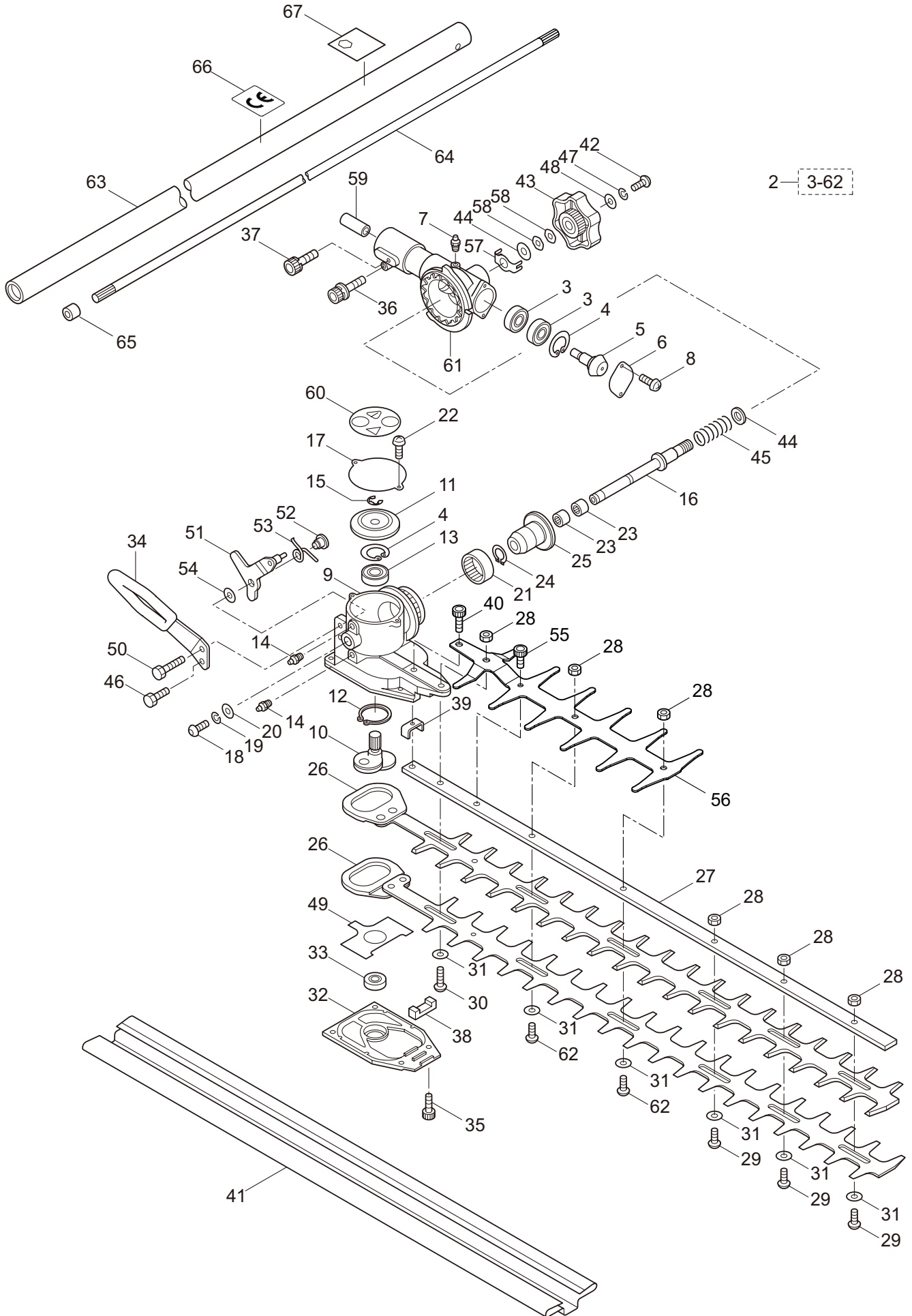
P/N 524073-1

1. MCA-HTS(24)
MAIN BODY



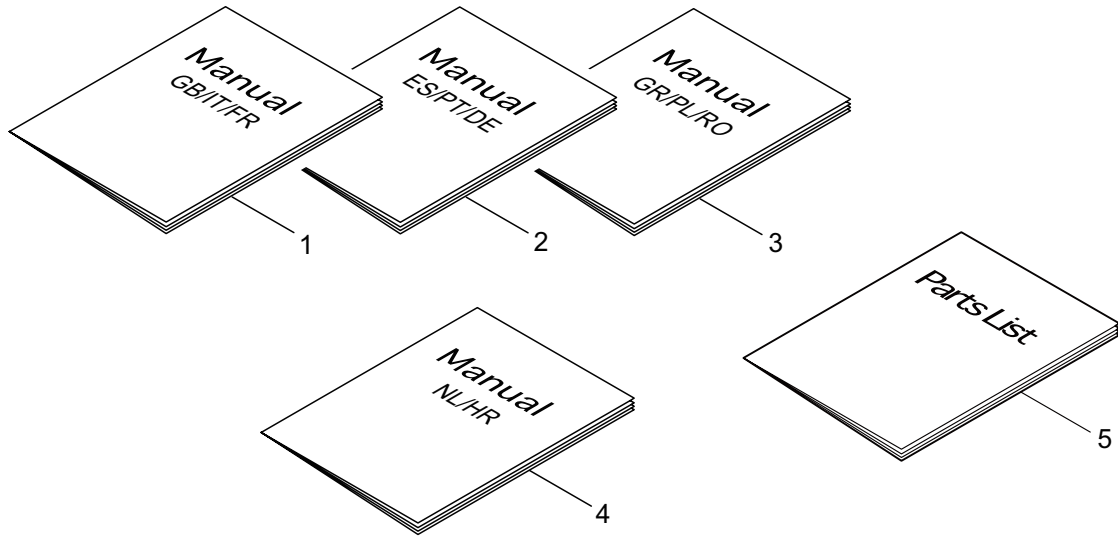
Ref. No.	Part No.	Part Name	Q'ty	Remarks
1-1	364519	MCA-HTS(24)	1	
1-2	237090	Trimmer Ass'y	1	Incl.3-62
1-3	407313	Bearing	2	
1-4	631757	Snap Ring	2	RTW26
1-5	407314	Bevel Gear	1	
1-6	407315	Cover	1	
1-7	580766	Grease Nipple	1	M6
1-8	631753	Screw	2	M4x8
1-9	407316	Gearcase	1	
1-10	407317	Crankshaft	1	
1-11	407318	Bevel Gear	1	
1-12	631759	Snap Ring	1	STW28
1-13	582443	Bearing	1	#6000 2RS
1-14	580766	Grease Nipple	2	M6
1-15	631755	Snap Ring	1	ETW6
1-16	407319	Shaft	1	
1-17	407320	Cover	1	
1-18	407321	Screw	1	M6x16
1-19	631749	Spring Washer	1	M6
1-20	582436	Washer	1	M6
1-21	407322	Bearing	1	
1-22	631753	Screw	2	M4x8
1-23	407323	Bearing	2	
1-24	407324	Snap Ring	1	
1-25	407325	Bevel Gear	1	
1-26	407326	Blade	2	
1-27	407327	Guide Plate	1	
1-28	580764	U-Nut	6	M6
1-29	631765	Screw	3	L17
1-30	407328	Screw	1	L26
1-31	991913	Washer	6	
1-32	407329	Low Case	1	
1-33	631771	Bearing	1	#608 2RS
1-34	407330	Handle	1	
1-35	407331	Bolt	4	M5x14
1-36	631778	Cap Screw	1	M5x25
1-37	631777	Cap Screw	1	M5x12
1-38	407332	Felt	1	
1-39	407333	Plate	1	
1-40	407334	Bolt	1	M5x16
1-41	407335	Cover of Blade	1	
1-42	407336	Screw	1	M6x12
1-43	407337	Knob	1	
1-44	407338	Washer	2	
1-45	407339	Spring	1	

1. MCA-HTS(24)
MAIN BODY



Ref. No.	Part No.	Part Name	Q'ty	Remarks
1-46	631770	Screw	1	M6x12
1-47	631749	Spring Washer	1	M6
1-48	582436	Washer	1	M6
1-49	407340	Plate	1	
1-50	407341	Bolt	1	M6x25
1-51	407342	Lever	1	
1-52	407343	Bush	1	
1-53	407344	Spring	1	
1-54	646471	Washer	1	
1-55	407345	Bolt	1	M5x8
1-56	237226	Blade Guard	1	
1-57	407347	Plate	1	
1-58	407348	Washer, Wave	2	
1-59	631779	Joint	1	
1-60	407349	Label	1	
1-61	407312	Joint Case	1	
1-62	631764	Screw	2	L19
1-63	237683	Driveshaft Tube mm. 150	1	
	237688	Driveshaft Tube mm. 600	1	
	237695	Driveshaft Tube mm. 1500	1	
1-64	237685	Driveshaft mm. 170	1	170L
	236843	Driveshaft mm. 758	1	758L
	237696	Driveshaft mm. 1536	1	1536L
1-65	216079	Stopper	1	
1-66	237626	Label	1	CE
1-67	231264	Label	1	111dBA

2. MCA-HTS(24)
ACCESSORIES



Ref. No.	Part No.	Part Name	Q'ty	Remarks
2-1	237742	Instruction Manual	1	GB/IT/FR
2-2	237743	Instruction Manual	1	ES/PT/DE
2-3	237744	Instruction Manual	1	GR/PL/RO
2-4	238194	Instruction Manual	1	NL/HR
2-5	524073	Parts List	1	MCA-HTS(24)